

Spare Parts List Boom B232, B256 2020-



General information

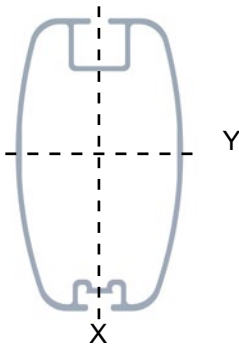
This part list does not list the variations, but gives the maximum quantities that each boom end-fitting can be fitted with for each part number. The boom end-fittings can thus easily be fitted with supplementary parts at a later date. Because the same spareparts drawing is used for all gooseneck end-fittings or for all outboard end-fittings, more items are often shown on the drawing than can actually be fitted.

Nor are the spares drawings necessarily identical to the parts listed.



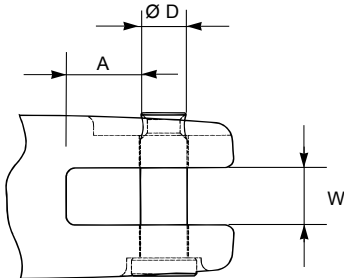
"Inboard and Outboard boom end" have numbers and letters marked at most of the sheave slots. Outhaul normally use the O-slot, Reef 1 the 1-slot, Reef 2 the 2-slot etc.

Boom specifications

	Boom section	ly	lx	Weight	Wy min	Wx min	Sail groove
	Height/width (mm)	(cm ⁴)	(cm ⁴)	0/+20% (kg/m)	(cm ³)	(cm ³)	(mm)
	B232/138	2162	676	7.38	182	98	11+-0.75
	B256/156	3476	1111	9.59	268	142	11+-0.75

Dimensions inboard boom end

Boom section	A mm	D mm	W mm
B232	19.5	16	30,5
B256	48	16	30,5



Seldén Mast AB reserves the right to alter the design or specification without prior warning, to allow unrestricted future product development.

Contents

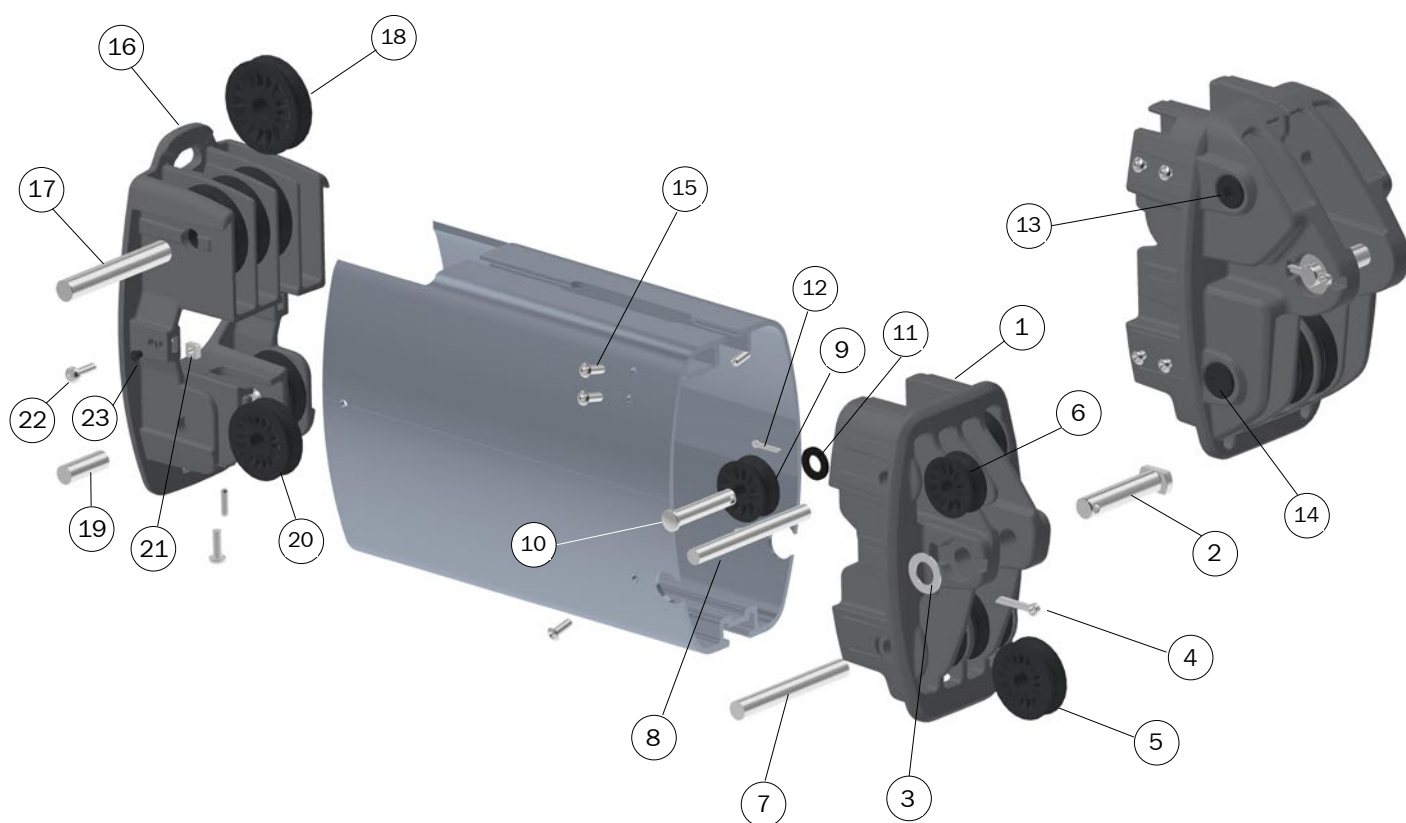
	<i>Page</i>
General information	2
Dimensions	2
Spare parts inboard and outboard ends <i>B232/B256</i>	4-5
Outhauls <i>B232-B256</i>	6
Sliders	7
Single line reef	8
Accessories	9

Inboard boom end

Item	Description	B232			B256		
		Dimension	Qty	Part No.	Dimension	Qty	Part No.
1	Inboard end	B232	1	509-117	B256	1	509-119
2	Gooseneck pin	Ø16x72	1	165-425	Ø16x72	1	165-425
3	Washer	Ø30/17-1	1	164-460	Ø30/17-1	1	164-460
4	Split pin	Ø4.6x31	1	301-054	Ø4.6x31	1	301-054
5	Sheave (lower)	Ø57/14-16	4	504-374	Ø70/16-16	4	504-334
6	Sheave (SLR)	Ø45/12-16	2	504-502	Ø57/14-16	2	504-374
7	Pin (lower)	Ø14x110	1	166-867	Ø16x114	1	166-871
8	Pin (upper)	Ø12x117	1	166-868	Ø14x110	1	166-867
9	Sheave (OH)	Ø45/12-16	1	504-502	Ø57/14-16	1	504-374
10	Clevis pin	Ø12x61	1	165-410	Ø14x61	1	165-507
11	Washer (Polyamide)	Ø24/13-2.4	1	164-005	Ø20/14-1	1	164-026
12	Split pin	Ø2.9x21	1	301-050	Ø3.7x20	1	301-053
13	Retaining plug (upper)	-	-	-	M16	1	319-830
14	Retaining plug (lower)	-	-	-	M18	1	318-024
15	Pop rivet (Monel)	Ø6.4x17.8	6	167-002	Ø6.4x17.8	8	167-002

Outboard boom end

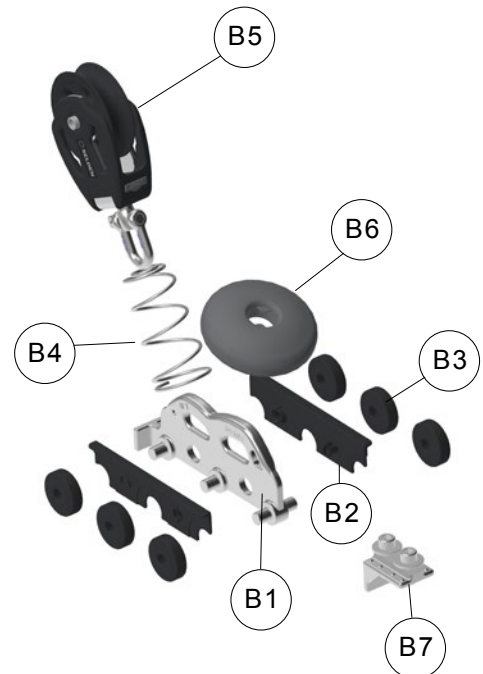
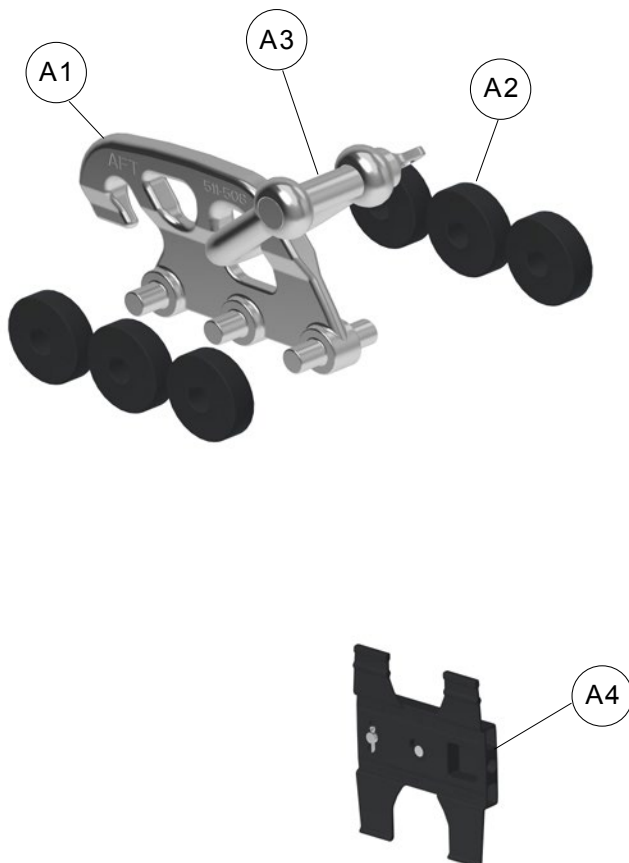
Item	Description	B232			B256		
		Dimension	Qty	Part No.	Dimension	Qty	Part No.
16	Outboard boom end	B232	1	500-117	B256	1	500-119
17	Pin	Ø16x104	1	166-869	Ø16x121	1	166-493
18	Sheave	Ø70/16-16	4	504-334	Ø90/16-16	5	504-337
19	Pin	Ø14x40	2	166-470	Ø16x48	2	166-418
20	Sheave	Ø57/14-16	2	504-374	Ø70/16-16	2	504-334
21	Square nut	M6	3	157-509	M8	3	157-510
22	Screw	MRT 6x20	3	155-621	MRT 8x25	3	155-611
23	Plug	Ø8/5.5-7.5	3	319-673	Ø8/5.5-7.5	3	319-673



Outhaul

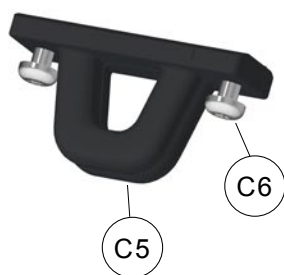
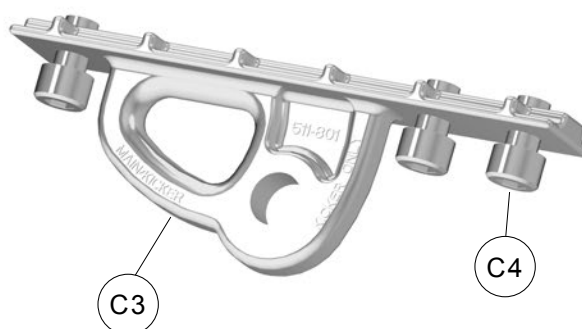
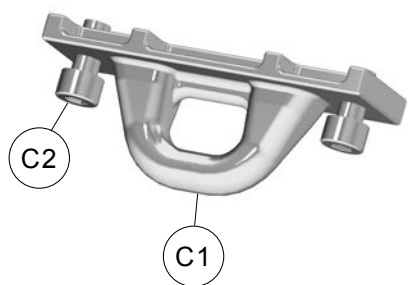
Conventional outhaul			B232			B256		
	Item	Description	Dimension	Qty	Part No.	Dimension	Qty	Part No.
	A1	Outhaul car	103x56	1	511-508	103x56	1	511-508
	A2	Wheel	Ø28	6	504-516	Ø28	1	504-516
	A3	Shackle	M10x20x40	1	307-024	M10x20x40	1	307-024
	-	Recommended wire size	Ø5 (7x19)	-	602-003	Ø5 (7x19)	1	602-003
	-	Recommended line size	Ø12 (32/3)	-	611-023	Ø12 (32/3)	-	611-023
	A4	Internal outhaul block	B232	1	538-447-51	B256	1	538-447-01

In-mast furling outhaul			B232			B256		
	Item	Description	Dimension	Qty	Part No.	Dimension	Qty	Part No.
	B1	Outhaul car	128x56	1	511-504	128x56	1	511-504
	B2	Sliding insert	111x26	2	530-727	111x26	2	530-727
	B3	Wheel	Ø28	6	504-516	Ø28	6	504-516
	B4	Spring	Ø36x70	1	308-074	Ø36x70	1	308-074
	B5	Single block	PBB60	1	406-001-01	PBB60	1	406-001-01
	B6	Buffer	Ø70	1	319-723	Ø70	1	319-723
	-	Recommended line size	Ø12 (32/3)	-	611-023	Ø12 (32/3)	-	611-023
	B7	Outhaul stop fwd	37x26x24	1	511-829-01	37x26x24	1	511-829-01



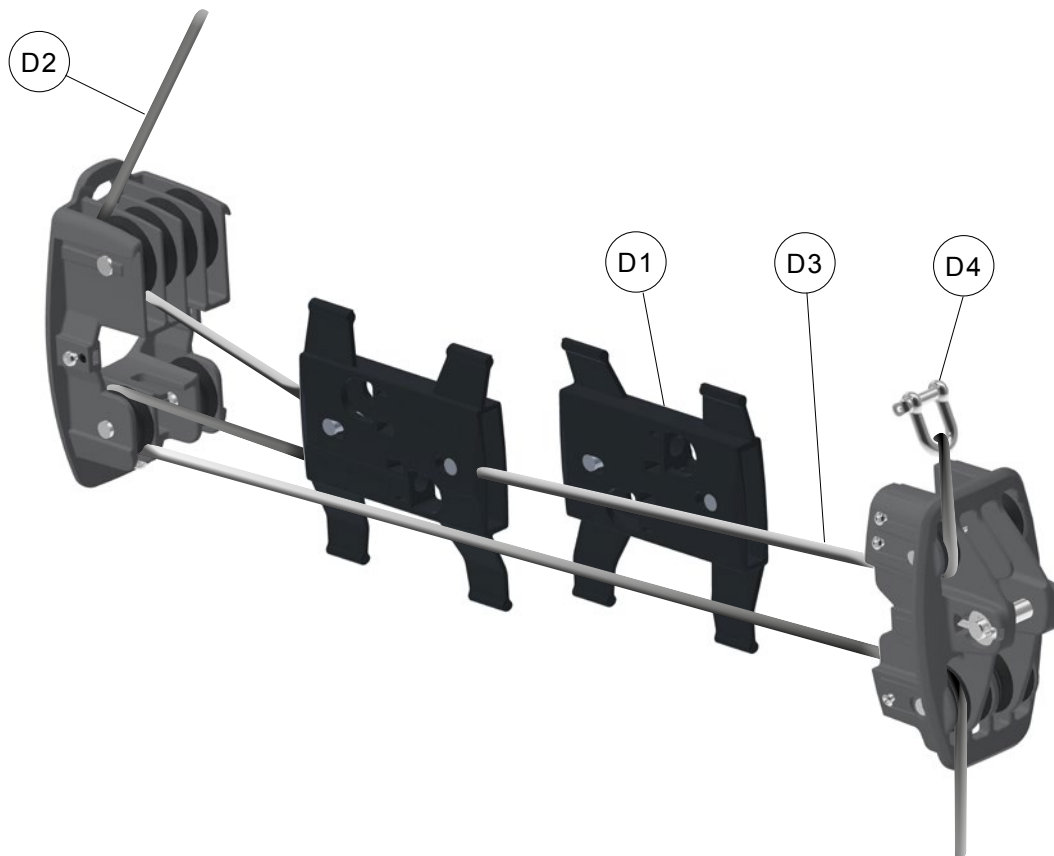
Sliders

Item	Description	B232			B256		
		Dimension	Qty	Part no.	Dimension	Qty	Part No.
C1	Main sheet slider	T-32	1	511-572	T-32	1	511-572
C2	Screw	8x16	2	153-006	8x16	2	153-006
C3	Kicker slider	T-32	1	511-801	T-32	1	511-608
C4	Screw	M10x16	3	153-011	M10X16	3	153-011
C5	Rope location eye	T-32	2	511-637	T-32	2	511-637
C6	Screw	MRT-TT 6X12	2	155-703	MRT-TT 6X12	2	155-703



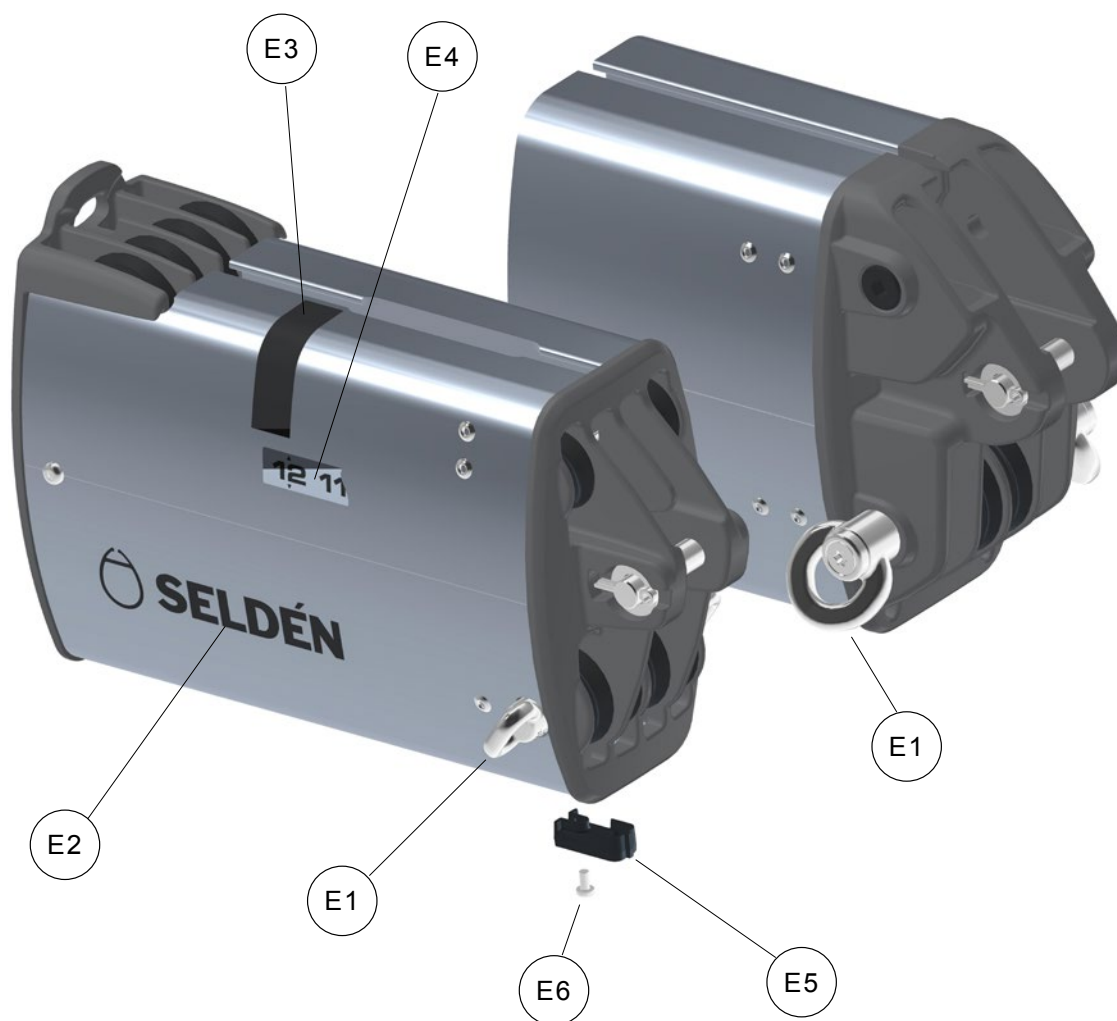
Single line reef

Item	Description	B232			B256		
		Dimension	Qty	Part no.	Dimension	Qty	Part no.
D1	SLR block	B232	1	538-446-51	B256	1	538-446-01
D2	Starboard line-blue	Ø12	1	611-027	Ø12	1	611-027
D2	Portside line-red	Ø12	1	611-026	Ø12	1	611-026
D3	Starboard line-blue	Ø12	1	611-027	Ø12	1	611-027
D3	Portside line-red	Ø12	1	611-026	Ø12	2	611-026
D4	Shackle	M8	1	307-021	Ø10	1	307-085



Accessories

Item	Description	B232			B256		
		Dimension	Qty	Part no.	Dimension	Qty	Part no.
E1	Eye assembly german sheeting	B232	1	508-951-01	B256	1	508-955-01
E2	Label	160mm	2	591-669	160mm	2	591-669
E3	Black band	25mm	1	591-123	25mm	1	591-123
E4	Calibration label-starboard	20x260	1	591-266	20x260	1	591-266
E4	Calibration label-portside	20x260	1	591-267	20x260	1	591-267
E5	Cable exit	46x20	1	532-493	46x20	1	532-493
E6	Screw	MRT 5x16	1	155-807	MRT 5x16	1	155-807



DINGHIES KEELBOATS YACHTS

Seldén Mast AB, Sweden
Tel +46 (0)31 69 69 00
e-mail info@seldenmast.com

Seldén Mast Limited, UK
Tel +44 (0) 1329 504000
e-mail info@seldenmast.co.uk

Seldén Mast Inc., USA
Tel +1 843-760-6278
e-mail info@seldenus.com

Seldén Mast A/S, DK
Tel +45 39 18 44 00
e-mail info@seldenmast.dk

Seldén Mid Europe B.V., NL
Tel +31 (0) 111-698 120
e-mail info@seldenmast.nl

Seldén Mast SAS, FR
Tel +33 (0) 251 362 110
e-mail info@seldenmast.fr

www.seldenmast.com

Dealer:

The Seldén Group is the world's leading manufacturer of mast and rigging systems in carbon and aluminium for dinghies, keelboats and yachts. The range was extended with deck hardware in 2008.

The Group consists of Seldén Mast AB in Sweden, Seldén Mast A/S in Denmark, Seldén Mast Ltd in the UK, Seldén Mid Europe B.V. in the Netherlands, Seldén Mast SAS in France, Seldén Mast Inc. in the USA and Seldén Mast Asia Ltd in Hong Kong. Our well known brands are Seldén and Furlex. The worldwide success of Furlex has enabled us to build a network of over 750 authorised dealers covering the world's marine markets. So wherever you sail, you can be sure of fast access to our service, spare parts and know-how.

SELDÉN and FURLEX are registered trademarks of Seldén Mast AB

 **SELDÉN**